



SHP48

**Jump in any time...
the water is always warm.**

When using free solar power you can afford to keep the pool warm all season long, which means you can jump in your nice warm pool any time you like.

No waiting for the pool to warm up.

Zero Annual Energy Cost Pool Heater

Heating & Cooling – This pool heater chiller unit provides 4 tons of heating or cooling for a pool or other large water supply. It can maintain a consistent pool temperature automatically.

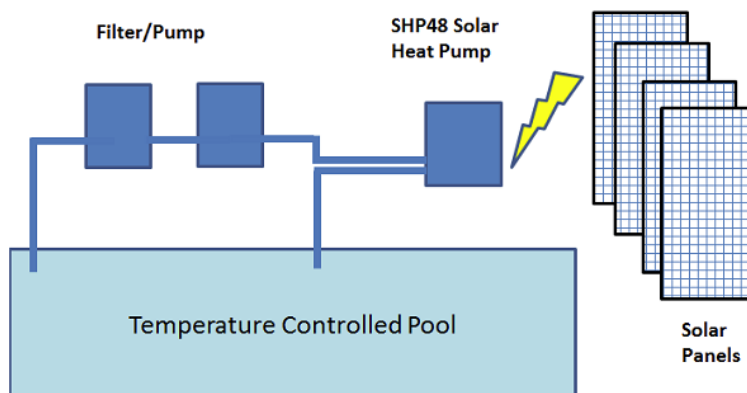
Solar Flexible – This system is designed to operate with or without solar panels. Install with a micro PV system now and/or add panels as your budget allows. No batteries are needed, all of the extra power is stored in the grid.

Universal Installation – Can be used for in-ground or above ground pools, salt or chlorine pools, indoor or outdoor pools. The swimming pool chiller-heater can handle any requirement.

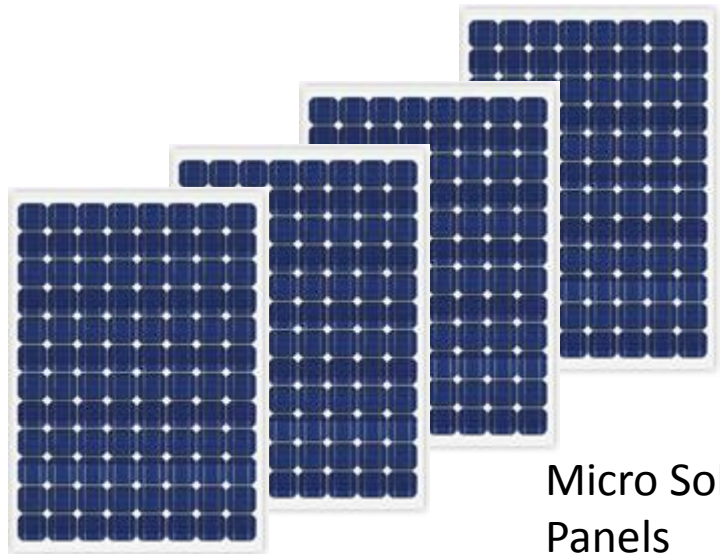
Huge Cost Savings – The unit can heat a pool with little or no annual electric utility cost.

Quiet & Long Lasting – The unit is equipped with an efficient rotary compressor and low-noise fan motor. The heat exchanger is made of pure titanium to withstand prolonged exposure to swimming pool water. The housing is a non-metallic, rust-proof enclosure.

Advanced Controls – The unit is micro-computer controlled, allowing all operational parameters to be set. Operation status can be displayed on the controller's LED display.



SHP48



Micro Solar Panels

Zero annual energy cost is based on a SHP48 standard system operating for an average of 7 hours per day for 120 days throughout the pool heating season. During the off-season or on days when heating is not needed, excess power created by the solar component is used by other electrical loads in the home, with unused power fed back to the circuit breaker panel and/or the utility company for future use. In this manner, excess power is stored and can be used by the pool heater at night or when the pool heater is consuming more power than is available from solar. No batteries are needed to store the extra power.

A standard SHP48 system includes six solar panels and is sized for a standard size pool with a typical 120 day pool heating season in locations like Denver, Boston, Chicago, etc. Systems with fewer panels can be specified for shorter pool heating seasons in areas like San Francisco, Minneapolis or Seattle. Areas with longer pool heating seasons such as Atlanta, Miami, etc. will use additional capacity. The SHP48 system is easily expandable initially or at any future time with no additional materials needed other than adding additional micro PV panels. Contact us for optimum system configuration. Complete systems start at \$4489 less federal rebate, net cost from \$3680. You may have additional local/state credits available depending on your location. Contact us for more information.

Heating Capacity	48,000 BTU/h
Heating Power Input	2.45 kW
Running Current	8.3 A
Power Supply	230V~/60Hz
COP	5.71 / 12.6 (solar)
EER	19.48 / 42.99 (solar)
Heat Exchanger	Titanium
Noise	56 dB(A)
Water Connection	1.5"
Nominal Water Flow Volume	22 GPM
Water Pressure Drop (max)	1.45 Psi
Refrigerant	R410A
Dimensions	W44" D20" H35"