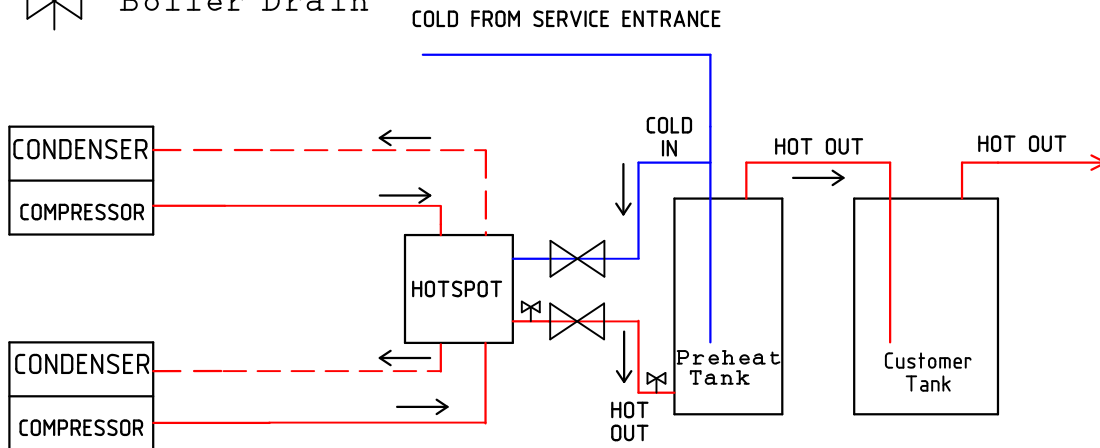


Valve Schedule

⊗ Isolation Valve

⊗ Boiler Drain



REVISION HISTORY			
REV	DESCRIPTION	DATE	APPROVED
A	Dual HE	1/12/2011	

DESIGNED BY	JHW		
DRAWN BY	JHW		
CHECKED BY	PJS		
APPROVED BY	MES		
OTHER APPROVALS			
CAD FILE NAME	Dual HE		
TITLE		Double Unit with Customer Tank and Preheat Tank	
SIZE	CAGE CODE	DRAWING NO.	
Sz	Cge Cd	Drawing No.	
SCALE	Scale	SHEET	Sht OF Total