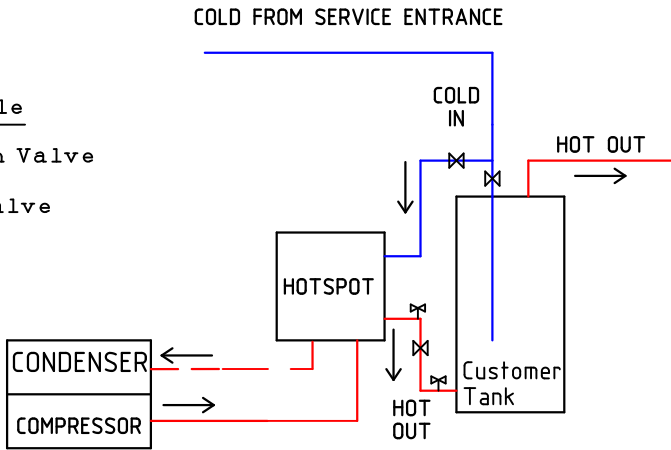


REVISION HISTORY			
REV	DESCRIPTION	DATE	APPROVED
A	Customer Tank with Preheat Tank and TT	1/12/2011	

Valve Schedule

- ⊠ Isolation Valve
- ⊠ Boiler Valve



DESIGNED BY	JHW			
DRAWN BY	JHW			
CHECKED BY	PJS	TITLE		
APPROVED BY	MES	Single Unit with Customer Tank without TT		
OTHER APPROVALS		SIZE	CAGE CODE	DRAWING NO.
CAD FILE NAME	S U W C T and TT	Sz	Cge Cd	Drawing No.
		SCALE	Scale	SHEET Sht OF Total