

# HotSpot FPH Heat Recovery Pool Heater



## HEAT RECOVERY POOL HEATING SYSTEM FREE POOL HEATING FROM AIR CONDITIONER WASTE HEAT

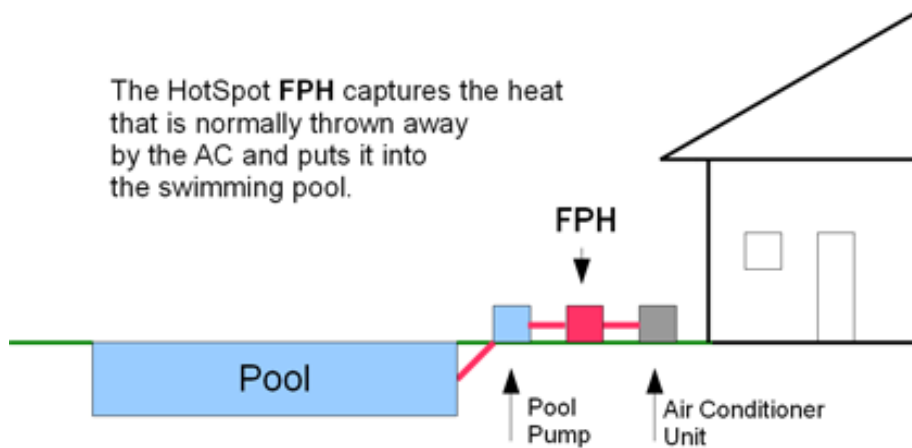
### HotSpot FPH Free Pool Heating

The FPH provides free pool heating by recycling the waste heat that your air conditioner throws away.

In the process, the FPH increases the efficiency of your air conditioner, saving up to 40% on your electricity costs for indoor cooling.



The HotSpot FPH captures the heat that is normally thrown away by the AC and puts it into the swimming pool.



**It's Simple.**  
It connects to your AC unit. It connects to your pool pump. It heats your pool for Free.

Extend your swimming season to match your air conditioning season with zero pool heating costs. The FPH converts your standard AC into a water-source *geothermal* type system, saving up to 40% on air conditioning costs. It costs less to install and avoids the problems of solar panels attached to the roof. Operates day or night, rain or shine. Only 5-6 hours per day of normal AC operation heats an average home pool. It's easily installed in less than a day by an experienced local HVAC contractor. For residential or commercial air conditioners.

A product of HotSpot Energy, a trusted name in heat recovery.

# FPH Heat Recovery Pool Heater



“Just listen to your air conditioner running at full speed to throw away heat and cool your home, while a few feet away your pool heater is eating money to produce more heat. It’s crazy. But not anymore...”

FPH Heat Recovery Pool Heaters are available for any size system. Standard quick-ship systems are built for AC units sized 2.5 to 10 tons.

All systems include properly selected components for your AC and pool. The FPH pool heating systems are available completely installed or as installation-ready complete system kits.

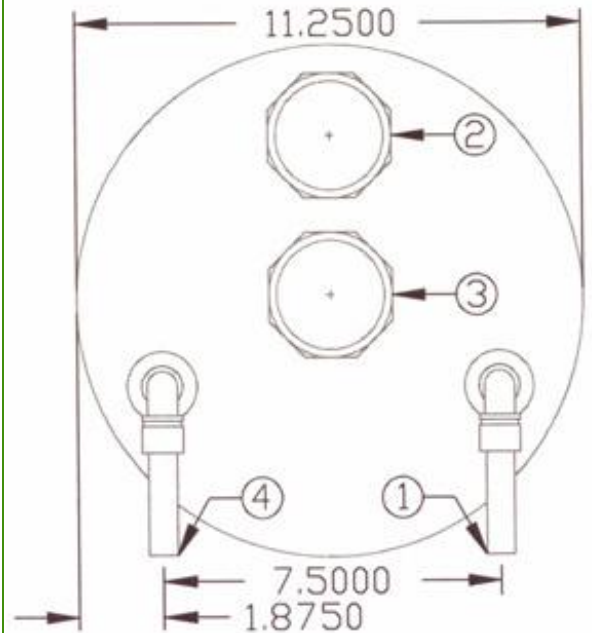
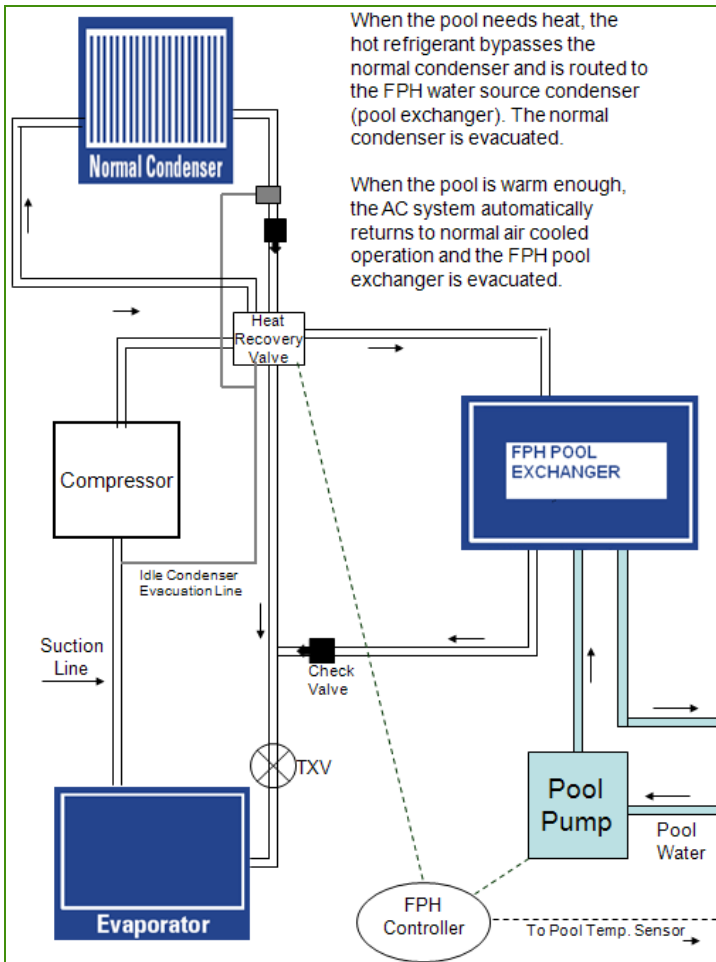
For all system types including R410a. PVC pipe and incidental installer materials should be obtained locally.

## Simple Installation

The pool side of the system installs just like solar pool heating, but instead of installing and connecting to an array of panels on the roof, the connection is made only from the pool pump to the FPH unit, which is installed right next to the customer's air conditioner. The FPH is made to connect to standard PVC pool piping. Most any competent solar thermal or pool contractor can install it in a few hours.

All work connecting the FPH to the AC must be performed by a licensed air conditioning professional and can be done in 4-5 hours.

Shown in the diagram below is a top view of the FPH connections. #1 is hot gas from the AC. #2 is warm water going back to the pool. #3 is cool water coming from the pool. #4 is cool refrigerant gas going back to the AC.



Authorized Distributor: