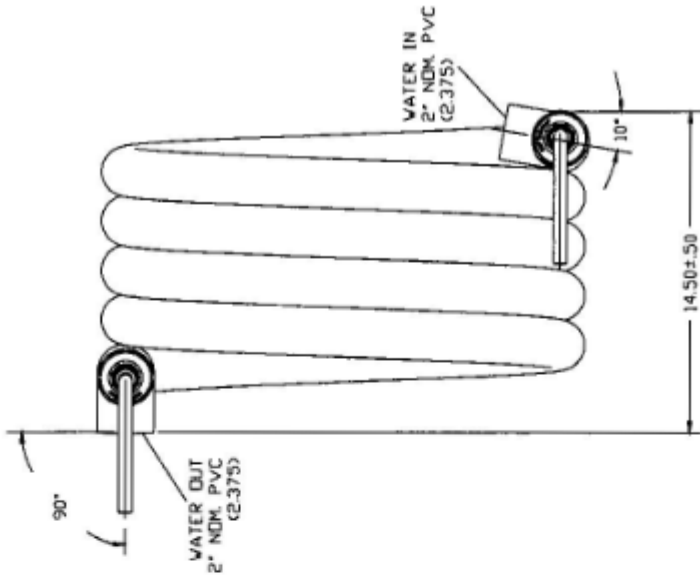




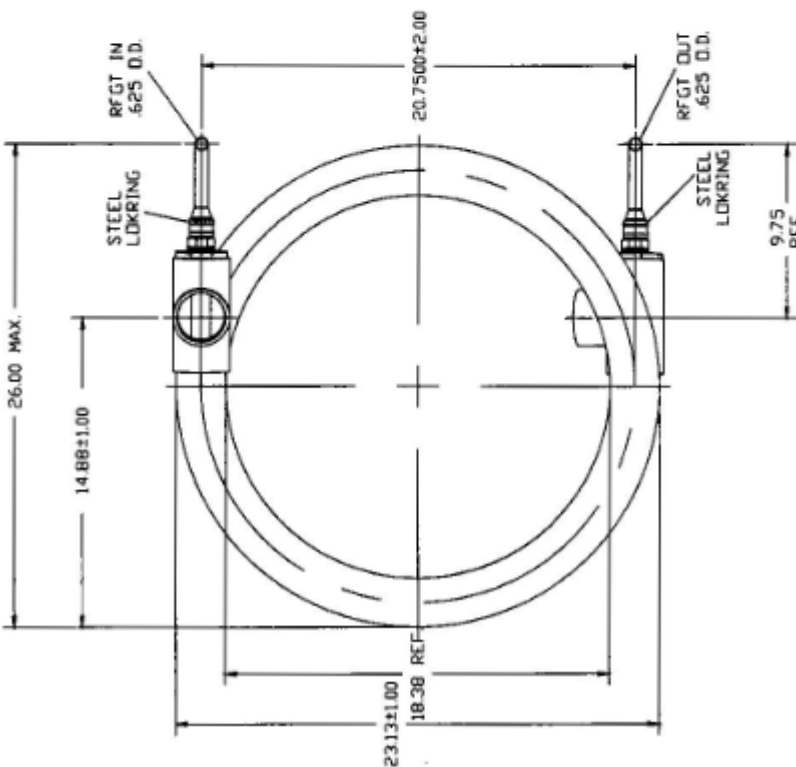
4021 Holland Blvd.
 Chesapeake, VA 23323
 (757) 410-8640
www.hotspotenergy.com

Titanium Condenser Coil
 Low-Flow Model FPH5LF-EO
 Aquarium / Pool Heat Exchanger



Internal Volume	77.5 in ³						
Flow (GPM)	10	15	20	25	30	35	40
Pressure Dtop	0.7	0.8	1.2	1.7	2.3	3	3.7
Tons, Cap	2-2.5	3-3.5	4-5	n/a	n/a	n/a	n/a

PVC Can Melt
 Do not
 over-heat when
 brazing, use
 proper brazing
 procedures.



- High Efficiency Convolved (Wave Wall) Coil
- Corrosion Resistant PVC Shell
- Water Ports 2" NPT
- Refrigerant Ports 5/8" OD
- 600 PSI DWP Coil / 200 °F Max
- Up to 75 Psig Water / Up to 55 GPM
- Weight 45 Lbs.